

Notes

1. Net weight

- Without Disconnect Switch 161 lbs (73.0 kg)
- With Disconnect Switch 174 lbs (78.9 kg)

2. Shipping Weight

- Without Disconnect Switch 224 lbs (101.6 kg)
- With Disconnect Switch 237 lbs (107.5 kg)

3. Ambient Temperature Limits and Altitude

- Operating: -40°F to 104°F (-40°C to 40°C)
- Storage: -58°F to 140°F (-50°C to 60°C)
- Maximum Altitude: 10,000 ft (3048 m) ASL

4. Air Delivery

- 15 kW = 1200 cfm (2039 m³/hr)
- 20 kW = 1700 cfm (2888 m³/hr)

5. Hazardous Location Classification

- Class I, Divisions 1 & 2, Groups C & D
- Class II, Divisions 1 & 2, Groups F & G
- Temperature Code T3B
- Class I, Zones 1 & 2, Groups IIA & IIB, T3

6. Materials

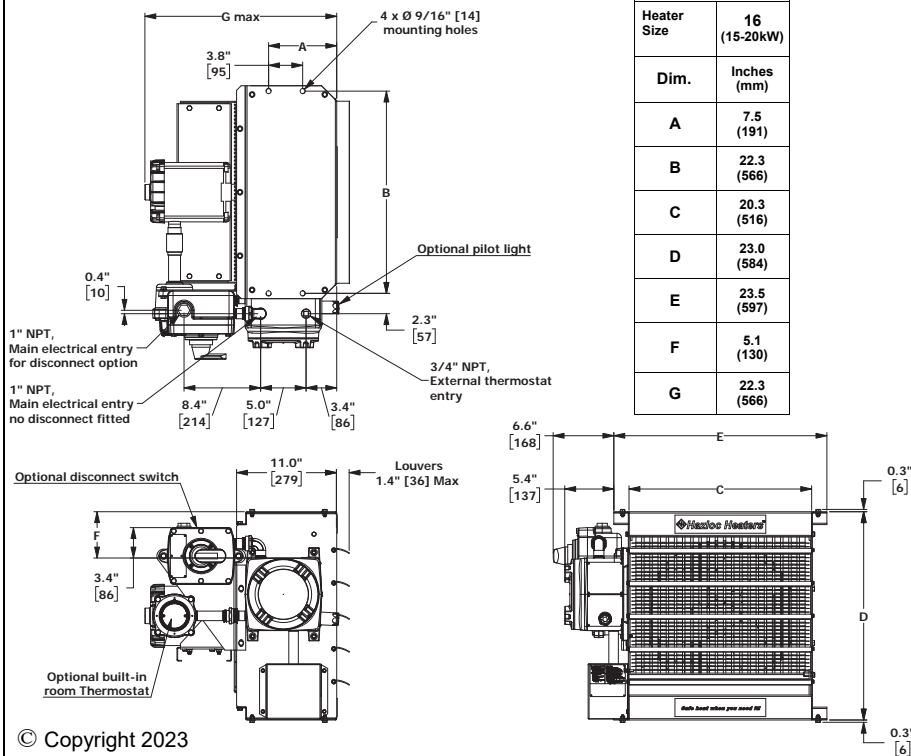
- Cabinet: 14 Ga, Yellow Epoxy/Polyester Powder Coated
- Core: Carbon Steel with Copper-free Integral Aluminum Fins Coated with Black, High Heat Enamel (Heresite coated core and/or cabinet available)

Note:

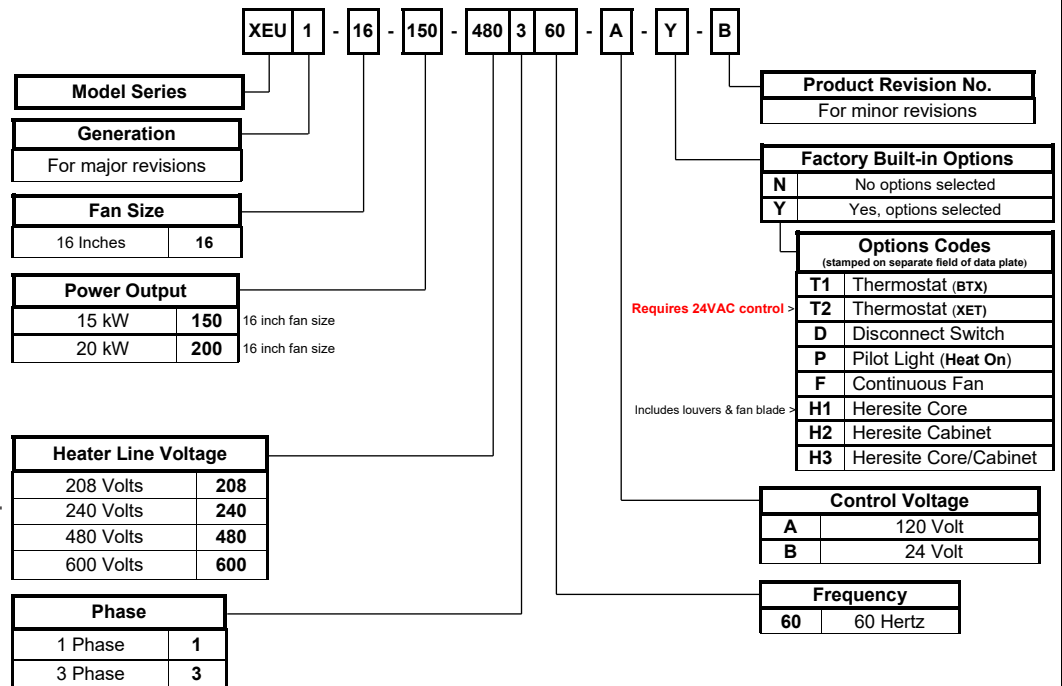
The fan shroud is made of spark resistant aluminum compliant to AMCA 99-10, Type B

Table 1 Specifications For XEU1 Heater, 16" Fan Size With Available Options

KW (BTU/HR)	Line Volt	PH	Fan Dia. (inch)	Total Amps	Minimum Circuit Ampacity	Max Fuse Size	Supply Wire 90°C (AWG)	BASE MODEL	Control Voltage 120V or 24V		Built-in Thermostat T1 or T2		Built-in Disconnect Switch	Built-in Pilot Light	Continuous Fan
									120 <input checked="" type="checkbox"/>	24 <input checked="" type="checkbox"/>	T1 <input checked="" type="checkbox"/>	T2 <input checked="" type="checkbox"/>			
15 (51180)	208	3	16	42.7	53.4	60	8	XEU1-16-150-208360	<input type="checkbox"/>	<input type="checkbox"/>	<input type="checkbox"/>	<input type="checkbox"/>	<input type="checkbox"/>	<input type="checkbox"/>	<input type="checkbox"/>
	240	3		37.2	46.5	50	8	XEU1-16-150-240360	<input type="checkbox"/>	<input type="checkbox"/>	<input type="checkbox"/>	<input type="checkbox"/>	<input type="checkbox"/>	<input type="checkbox"/>	<input type="checkbox"/>
	480	3		18.6	23.2	25	10	XEU1-16-150-480360	<input type="checkbox"/>	<input type="checkbox"/>	<input type="checkbox"/>	<input type="checkbox"/>	<input type="checkbox"/>	<input type="checkbox"/>	<input type="checkbox"/>
	600	3		14.9	18.6	20	12	XEU1-16-150-600360	<input type="checkbox"/>	<input type="checkbox"/>	<input type="checkbox"/>	<input type="checkbox"/>	<input type="checkbox"/>	<input type="checkbox"/>	<input type="checkbox"/>
20 (68240)	480	3	16	24.6	30.8	35	10	XEU1-16-200-480360	<input type="checkbox"/>	<input type="checkbox"/>	<input type="checkbox"/>	<input type="checkbox"/>	<input type="checkbox"/>	<input type="checkbox"/>	<input type="checkbox"/>
	600	3		19.7	24.6	25	10	XEU1-16-200-600360	<input type="checkbox"/>	<input type="checkbox"/>	<input type="checkbox"/>	<input type="checkbox"/>	<input type="checkbox"/>	<input type="checkbox"/>	<input type="checkbox"/>



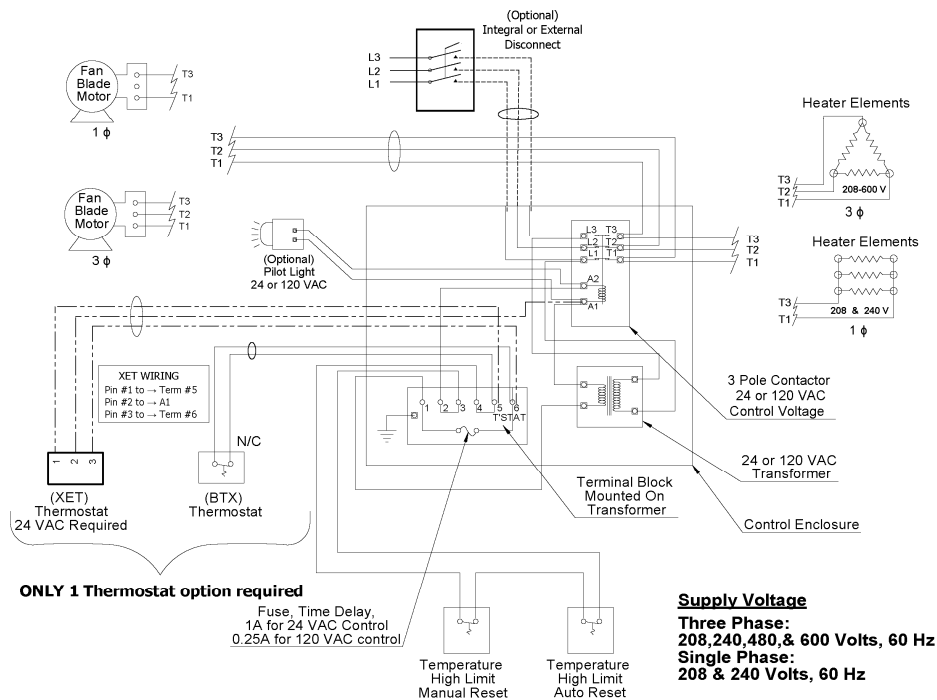
Heater Size	16 (15-20kW)
Dim.	Inches (mm)
A	7.5 (191)
B	22.3 (566)
C	20.3 (516)
D	23.0 (584)
E	23.5 (597)
F	5.1 (130)
G	22.3 (566)



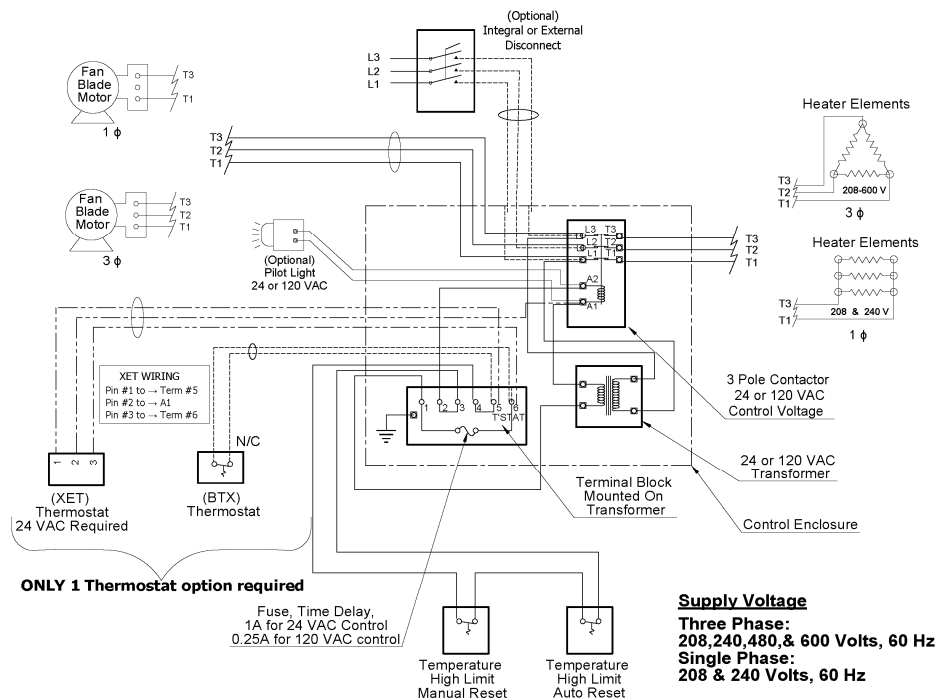
Approval Drawing	XEU1, 16" Fan Size Heater
April 10, 2023	Version 4.2
Hazloc Heaters Inc.	Calgary, Alberta



Wiring Diagram for Standard Fan Operation



Wiring Diagram for Continuous Fan Operation



Approval Drawing	XEU1, 16" Fan Size Heater
April 10, 2023	Version 4.2
Hazloc Heaters Inc.	Calgary, Alberta