

Notes

1. Net weight

Without Disconnect Switch
 3, 5 & 7.5kW = 129 lbs (58.5 kg)
 10 kW = 133 lbs (60.3 kg)

With Disconnect Switch
 3, 5 & 7.5kW = 142 lbs (64.4 kg)
 10 kW = 146 lbs (66.2 kg)

2. Shipping Weight

Without Disconnect Switch
 3, 5 & 7.5kW = 188 lbs (85.3 kg)
 10 kW = 192 lbs (87.1 kg)

With Disconnect Switch
 3, 5 & 7.5kW = 201 lbs (91.2 kg)
 10 kW = 205 lbs (93.0 kg)

3. Ambient Temperature Limits and Altitude

Operating: -40°F to 104°F (-40°C to 40°C)
 Storage: -58°F to 140°F (-50°C to 60°C)
 Maximum Altitude: 10,000 ft (3048 m) ASL

4. Air Delivery

3 kW = 350 cfm (595 m³/hr)
 5 kW = 400 cfm (680 m³/hr)
 7.5 kW = 600 cfm (1019 m³/hr)
 10 kW = 800 cfm (1359 m³/hr)

5. Hazardous Location Classification

Class I, Divisions 1 & 2, Groups C & D
 Class II, Divisions 1 & 2, Groups F & G
 Temperature Code T3B (3kW = T3A)
 Class I, Zones 1 & 2, Groups IIA & IIB, T3

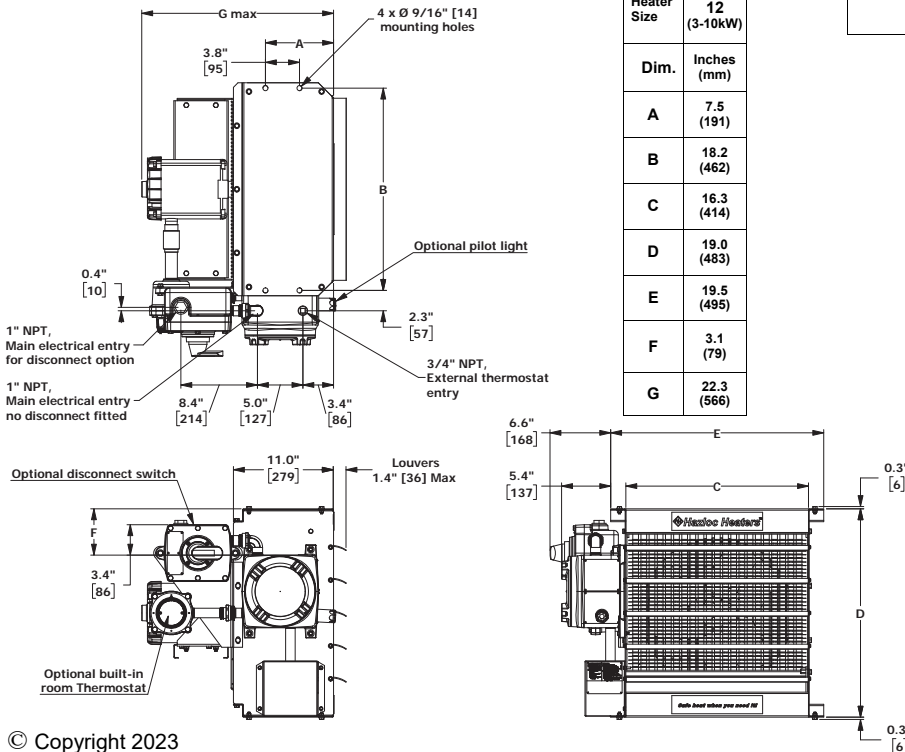
6. Materials

Cabinet: 14 Ga, Yellow Epoxy/Polyester Powder Coated
 Core: Carbon Steel with Copper-free Integral Aluminum Fins Coated with Black, High Heat Enamel
 (Heresite coated core and/or cabinet available)

Note:
 The fan shroud is made of spark resistant aluminum compliant to AMCA 99-10, Type B

Table 1 Specifications For XEU1 Heater, 12" Fan Size With Available Options

KW (BTU/HR)	Line Volt	PH Ø	Fan Dia. (inch)	Total Amps	Minimum Circuit Ampacity	Max Fuse Size	Supply Wire 90°C (AWG)	BASE MODEL	Control Voltage 120V or 24V		Built-in Thermostat T1 or T2		Built-in Disconnect Switch	Built-in Pilot Light	Continuous Fan	
									120 <input checked="" type="checkbox"/>	24 <input checked="" type="checkbox"/>	T1 <input checked="" type="checkbox"/>	T2 <input checked="" type="checkbox"/>				
3 (10236)	208	3	12	1	16.7	20.9	25	12	XEU1-12-030-208160	<input type="checkbox"/>	<input type="checkbox"/>	<input type="checkbox"/>	<input type="checkbox"/>	<input type="checkbox"/>	<input type="checkbox"/>	<input type="checkbox"/>
				3	9.4	11.8	15	14	XEU1-12-030-208360	<input type="checkbox"/>	<input type="checkbox"/>	<input type="checkbox"/>	<input type="checkbox"/>	<input type="checkbox"/>	<input type="checkbox"/>	<input type="checkbox"/>
	240	3	1	14.9	18.6	20	12	XEU1-12-030-240160	<input type="checkbox"/>	<input type="checkbox"/>	<input type="checkbox"/>	<input type="checkbox"/>	<input type="checkbox"/>	<input type="checkbox"/>	<input type="checkbox"/>	<input type="checkbox"/>
			3	8.3	10.4	15	14	XEU1-12-030-240360	<input type="checkbox"/>	<input type="checkbox"/>	<input type="checkbox"/>	<input type="checkbox"/>	<input type="checkbox"/>	<input type="checkbox"/>	<input type="checkbox"/>	<input type="checkbox"/>
	480	3	4.2	5.2	15	14	XEU1-12-030-480360	<input type="checkbox"/>	<input type="checkbox"/>	<input type="checkbox"/>	<input type="checkbox"/>	<input type="checkbox"/>	<input type="checkbox"/>	<input type="checkbox"/>	<input type="checkbox"/>	<input type="checkbox"/>
600	3	3.3	4.1	15	14	XEU1-12-030-600360	<input type="checkbox"/>	<input type="checkbox"/>	<input type="checkbox"/>	<input type="checkbox"/>	<input type="checkbox"/>	<input type="checkbox"/>	<input type="checkbox"/>	<input type="checkbox"/>	<input type="checkbox"/>	
5 (17060)	208	3	12	1	26.3	32.9	35	8	XEU1-12-050-208160	<input type="checkbox"/>	<input type="checkbox"/>	<input type="checkbox"/>	<input type="checkbox"/>	<input type="checkbox"/>	<input type="checkbox"/>	<input type="checkbox"/>
				3	15.0	18.7	20	12	XEU1-12-050-208360	<input type="checkbox"/>	<input type="checkbox"/>	<input type="checkbox"/>	<input type="checkbox"/>	<input type="checkbox"/>	<input type="checkbox"/>	<input type="checkbox"/>
	240	3	1	23.2	29.0	30	10	XEU1-12-050-240160	<input type="checkbox"/>	<input type="checkbox"/>	<input type="checkbox"/>	<input type="checkbox"/>	<input type="checkbox"/>	<input type="checkbox"/>	<input type="checkbox"/>	<input type="checkbox"/>
			3	13.1	16.4	20	12	XEU1-12-050-240360	<input type="checkbox"/>	<input type="checkbox"/>	<input type="checkbox"/>	<input type="checkbox"/>	<input type="checkbox"/>	<input type="checkbox"/>	<input type="checkbox"/>	<input type="checkbox"/>
	480	3	6.6	8.2	15	14	XEU1-12-050-480360	<input type="checkbox"/>	<input type="checkbox"/>	<input type="checkbox"/>	<input type="checkbox"/>	<input type="checkbox"/>	<input type="checkbox"/>	<input type="checkbox"/>	<input type="checkbox"/>	<input type="checkbox"/>
600	3	5.2	6.6	15	14	XEU1-12-050-600360	<input type="checkbox"/>	<input type="checkbox"/>	<input type="checkbox"/>	<input type="checkbox"/>	<input type="checkbox"/>	<input type="checkbox"/>	<input type="checkbox"/>	<input type="checkbox"/>	<input type="checkbox"/>	
7.5 (25590)	208	3	12	1	38.4	47.9	50	8	XEU1-12-075-208160	<input type="checkbox"/>	<input type="checkbox"/>	<input type="checkbox"/>	<input type="checkbox"/>	<input type="checkbox"/>	<input type="checkbox"/>	<input type="checkbox"/>
				3	21.9	27.4	30	10	XEU1-12-075-208360	<input type="checkbox"/>	<input type="checkbox"/>	<input type="checkbox"/>	<input type="checkbox"/>	<input type="checkbox"/>	<input type="checkbox"/>	<input type="checkbox"/>
	240	3	1	33.7	42.1	45	8	XEU1-12-075-240160	<input type="checkbox"/>	<input type="checkbox"/>	<input type="checkbox"/>	<input type="checkbox"/>	<input type="checkbox"/>	<input type="checkbox"/>	<input type="checkbox"/>	<input type="checkbox"/>
			3	19.1	23.9	25	10	XEU1-12-075-240360	<input type="checkbox"/>	<input type="checkbox"/>	<input type="checkbox"/>	<input type="checkbox"/>	<input type="checkbox"/>	<input type="checkbox"/>	<input type="checkbox"/>	<input type="checkbox"/>
	480	3	9.6	12.0	15	14	XEU1-12-075-480360	<input type="checkbox"/>	<input type="checkbox"/>	<input type="checkbox"/>	<input type="checkbox"/>	<input type="checkbox"/>	<input type="checkbox"/>	<input type="checkbox"/>	<input type="checkbox"/>	<input type="checkbox"/>
600	3	7.6	9.6	15	14	XEU1-12-075-600360	<input type="checkbox"/>	<input type="checkbox"/>	<input type="checkbox"/>	<input type="checkbox"/>	<input type="checkbox"/>	<input type="checkbox"/>	<input type="checkbox"/>	<input type="checkbox"/>	<input type="checkbox"/>	
10 (34120)	208	3	12	1	28.9	36.1	40	8	XEU1-12-100-208360	<input type="checkbox"/>	<input type="checkbox"/>	<input type="checkbox"/>	<input type="checkbox"/>	<input type="checkbox"/>	<input type="checkbox"/>	<input type="checkbox"/>
				3	44.1	55.1	60	8	XEU1-12-100-240160	<input type="checkbox"/>	<input type="checkbox"/>	<input type="checkbox"/>	<input type="checkbox"/>	<input type="checkbox"/>	<input type="checkbox"/>	<input type="checkbox"/>
	240	3	1	25.2	31.4	35	8	XEU1-12-100-240360	<input type="checkbox"/>	<input type="checkbox"/>	<input type="checkbox"/>	<input type="checkbox"/>	<input type="checkbox"/>	<input type="checkbox"/>	<input type="checkbox"/>	<input type="checkbox"/>
			3	12.6	15.7	20	12	XEU1-12-100-480360	<input type="checkbox"/>	<input type="checkbox"/>	<input type="checkbox"/>	<input type="checkbox"/>	<input type="checkbox"/>	<input type="checkbox"/>	<input type="checkbox"/>	<input type="checkbox"/>
	480	3	10.1	12.6	15	14	XEU1-12-100-600360	<input type="checkbox"/>	<input type="checkbox"/>	<input type="checkbox"/>	<input type="checkbox"/>	<input type="checkbox"/>	<input type="checkbox"/>	<input type="checkbox"/>	<input type="checkbox"/>	<input type="checkbox"/>



Heater Size	12 (3-10kW)
Dim.	Inches (mm)
A	7.5 (191)
B	18.2 (462)
C	16.3 (414)
D	19.0 (483)
E	19.5 (495)
F	3.1 (79)
G	22.3 (566)

XEU 1 - 12 - 100 - 480 3 60 - A - Y - B

Model Series
 XEU 1 - 12 - 100 - 480 3 60 - A - Y - B

Generation
 For major revisions

Fan Size
 12 Inches | 12

Power Output

3 kW	030	12 inch fan size
5 kW	050	12 inch fan size
7.5 kW	075	12 inch fan size
10 kW	100	12 inch fan size

Heater Line Voltage

208 Volts	208
240 Volts	240
480 Volts	480
600 Volts	600

Phase

1 Phase	1
3 Phase	3

Product Revision No.
 For minor revisions

Factory Built-in Options

N	No options selected
Y	Yes, options selected

Options Codes
 (stamped on separate field of data plate)

T1	Thermostat (BTX)
T2	Thermostat (XET)
D	Disconnect Switch
P	Pilot Light (Heat On)
F	Continuous Fan
H1	Heresite Core
H2	Heresite Cabinet
H3	Heresite Core/Cabinet

Control Voltage

A	120 Volt
B	24 Volt

Frequency

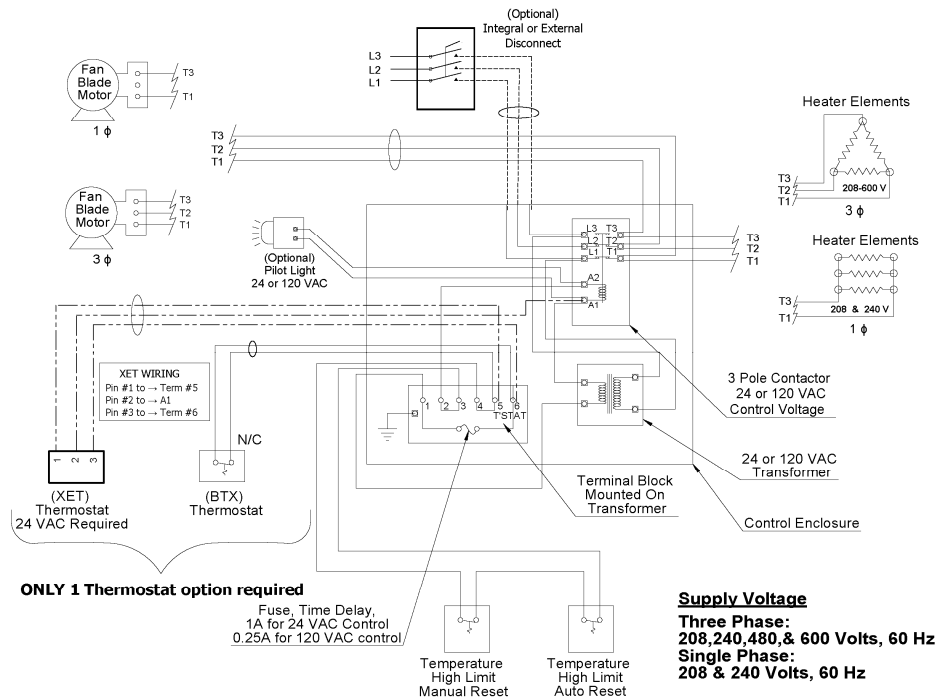
60	60 Hertz
----	----------

Requires 24VAC control >
 Includes louvers & fan blade >

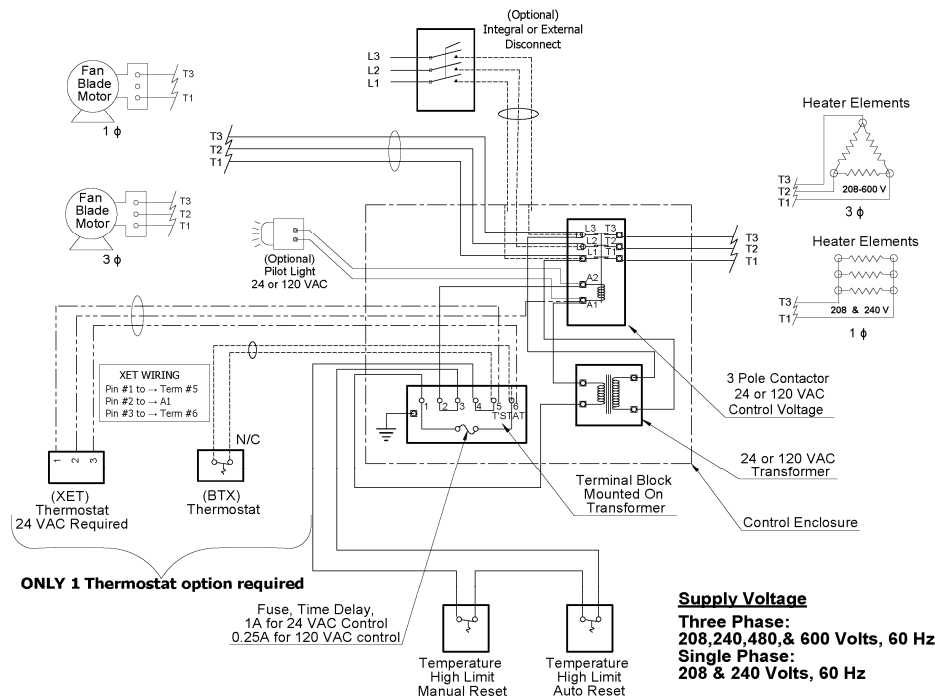
Approval Drawing XEU1, 12" Fan Size Heater
 April 10, 2023 Version 4.2
 Hazloc Heaters Inc. Calgary, Alberta



Wiring Diagram for Standard Fan Operation



Wiring Diagram for Continuous Fan Operation



Approval Drawing	XEU1, 12" Fan Size Heater
April 10, 2023	Version 4.2
Hazloc Heaters Inc.	Calgary, Alberta