



Hazloc Heaters™

Safe heat when you need it!



EX SERIES Caliber™

For heating or cooling applications

BTX2-15A-W-N-A

Bi-metal Explosion-Proof Room Thermostat For Hazardous Locations

Class I, Division 1 & 2, Groups B, C & D

Class II, Division 1, Groups E, F & G

Class II, Division 2, Groups F & G; Class III; T6

Class I, Zone 1, Ex db, Groups IIA, IIB+H₂, T6, Gb

Class I, Zone 2, Ex dc, Groups IIA, IIB+H₂, T6, Gc

Class I, Zone 1, AEx db, Groups IIA, IIB+H₂, T6, Gb

Class I, Zone 2, AEx dc, Groups IIA, IIB+H₂, T6, Gc

Class II, Zone 21, Ex tb, Groups IIIA, IIIB & IIIC, T85°C, Db

Class II, Zone 22, Ex tc, Groups IIIA, IIIB & IIIC, T85°C, Dc

Class II, Zone 21, AEx tb, Groups IIIA, IIIB & IIIC, T85°C, Db

Class II, Zone 22, AEx tc, Groups IIIA, IIIB & IIIC, T85°C, Dc

-50°C ≤ T amb ≤ +40°C, IP66, Type 4

Suitable for Hydrogen gas environments.

www.HazlocHeaters.com

For hazardous-location air temperature control rely on the **Hazloc Heaters™** **BTX ExCaliber™** series of bi-metal explosion-proof thermostats for the most dependable, accurate, robust and trouble-free service available.

Features & benefits include:

- Bolted, removable cover provides instant access for installation and servicing.
- Dial locking screw prevents unwanted adjustments.
- Phenolic thermal-break standoffs between knob & base limits heat creep.
- IP66/Type 4 ratings for moisture/dust protection.
- Aluminum housing with no exposed copper or brass provides suitability for H₂S environments.
- CFC & mercury free, no leveling required.
- Fast-acting, accurate, bi-metal sensing plate is unaffected by altitude.
- Two (3/4" NPT) openings for easy field wiring (includes one 3/4" plug).
- Field wiring from either vertical or horizontal orientation for flexibility of install.
- Can be used to directly control small HP motors and resistive loads.
- Third party impact tested for ensured durability.

Typical Applications:

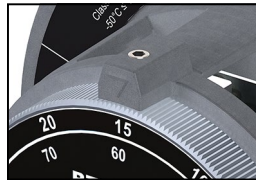
- Heaters, exhaust fans & air conditioners

Protection Method:

- Flameproof: CSA 22.2 No. 30
UL 1203
CSA/UL 60079-1
- Dust ignition proof: CSA 22.2 No. 25
UL 1203
CSA/UL 60079-31
- Ingress protection: IEC 60529
(IP66/Type 4)
CSA 22.2 No. 94
UL 50

The **BTX** is available as a built-in option on all sizes of **Hazloc Heaters™** XEU1 explosion-proof electric air heaters.

Field retrofit kits are available to convert XEU1 heaters (heater model code ending in suffix "B") with a BTX built-in thermostat into a heater with a wall mount thermostat configuration.



Dial locking screw



Specifications: (SPDT for heating or cooling applications)

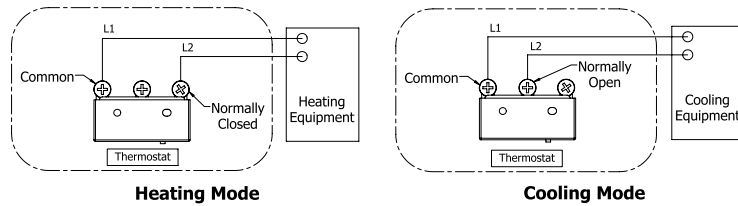
Temperature adjustment range: 5°C to 25°C (40°F to 80°F)
 Temperature differential: +/- 1°C (1.8°F) from set point
 Operating limits: -50°C (58°F) ≤ T amb ≤ +40°C (104°F)
 Storage limits: -50°C to +60°C (-58°F to +140°F)
 Switching: Snap acting
 Field wiring openings: Two 3/4" NPT (includes one 3/4" plug)
 Ingress protection: IP66/Type 4
 Net weight: 1.9 Kg (4.2 Lbs)
 Ship weight: 2.0 Kg (4.4 Lbs)
 Shipping dimensions: 12.7 cm x 12.7 cm x 15.2 cm (5" x 5" x 6")

Electrical rating:

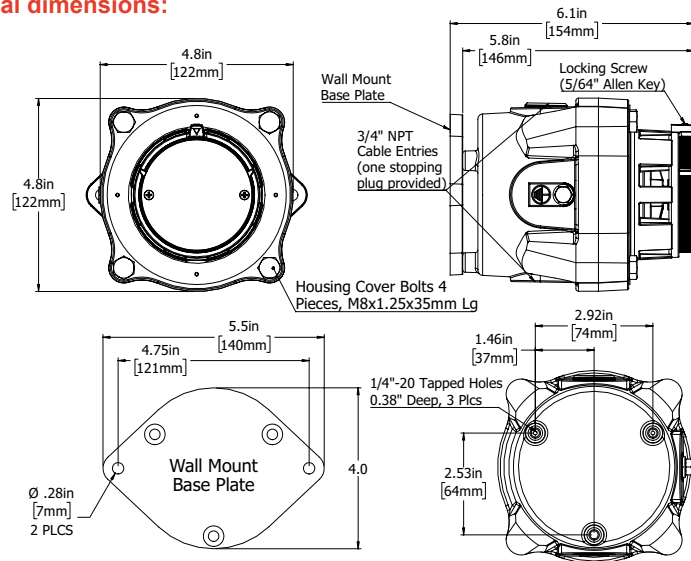
15 Amps Res., 480VAC Max., 50/60Hz; 3/4HP @ 125VAC;
 1 1/2HP @ 250VAC, Pilot Duty: 490VA @ 125VAC, 800VA @ 250VAC

Model: BTX2-15A-W-N-A

Wiring diagram:



Physical dimensions:



Limited 36-Month Warranty

Hazloc Heaters™ warrants all **BTX ExCaliber™** series of bi-metal explosion-proof thermostats against defects in materials and workmanship under normal conditions of use for a period of thirty-six (36) months from date of purchase based on the following terms:

1. The thermostat must not be modified in any way.
2. The thermostat must be stored, installed and used only in accordance with the owner's manual and attached data plate information.
3. The complete thermostat may be returned to our manufacturing plant for repair or replacement (at our discretion), freight charges prepaid.
4. Contamination by dirt, dust, etc. or corrosion will not be considered as defects.
5. This warranty shall be limited to the actual equipment involved and, under no circumstances, shall include or extend to installation or removal costs, or to consequential damages or losses.



#1, 666 Goddard Ave. NE
 Calgary, Alberta T2K 5X3 Canada
 Tel.: +1-403-730-2488
 Fax: +1-403-730-2482
 Customer Toll Free (U.S. & Canada):
 +1-866-701-Heat (4328)
 www.HazlocHeaters.com

Hazloc Heaters is a trademark of Hazloc Heaters Inc.
 The information contained in this brochure has been carefully checked and verified for accuracy. Specifications subject to change without notice.

PRINTED IN CANADA
 © Copyright 2023
 Cat No. BTX2-N-202303-0